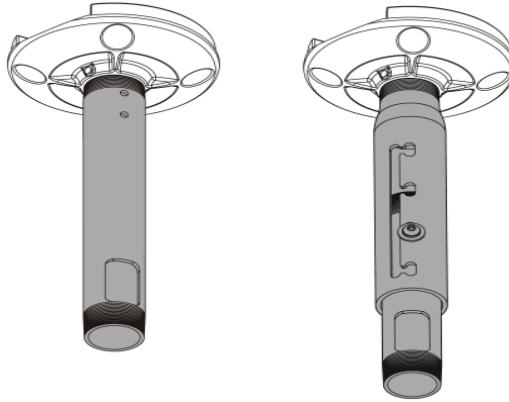


SANUS | VISIONMOUNT

VMCA10

(6901-100068 <02>)



IMPORTANT SAFETY INSTRUCTIONS - SAVE THESE INSTRUCTIONS

Thank you for choosing the VisionMount VMCA10 extension column. The VMCA10 extension column is designed to suspend your A/V equipment mount from a ceiling attachment. The VMCA10 will accommodate an NPT 1-1/2 in. threaded pipe. The VMCA10 will support a maximum weight of 226.8 kg (500 lbs).

⚠ CAUTION

Do not use this product for any purpose not explicitly specified by Sanus Systems. Improper assembly may cause property damage or personal injury. If you do not understand these directions, or have doubts about the safety of the assembly, contact Customer Service or call a qualified contractor. Sanus Systems is not responsible for damage or injury caused by incorrect assembly or use.

⚠ CAUTION

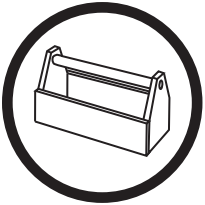
Improper installation may result in serious injury! The ceiling structure and mounting hardware (not included) must be capable of supporting up to five times the weight of the A/V equipment and mount combined. If you have any doubts about the ability of the ceiling to support the installation, contact Sanus Systems Customer Service, or a qualified contractor.

⚠ WARNING

This product contains small items that could be a choking hazard if swallowed. Keep these items away from young children!

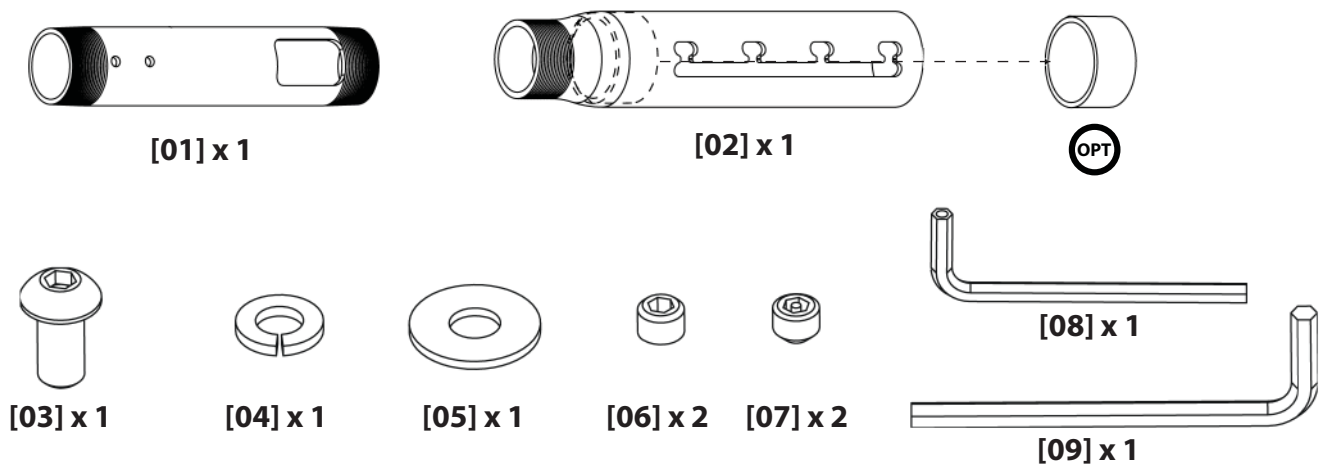


Hardware and procedures for multiple mounting configurations are included. When you see this symbol, choose the correct configuration to suit your needs. Not all hardware included will be used.

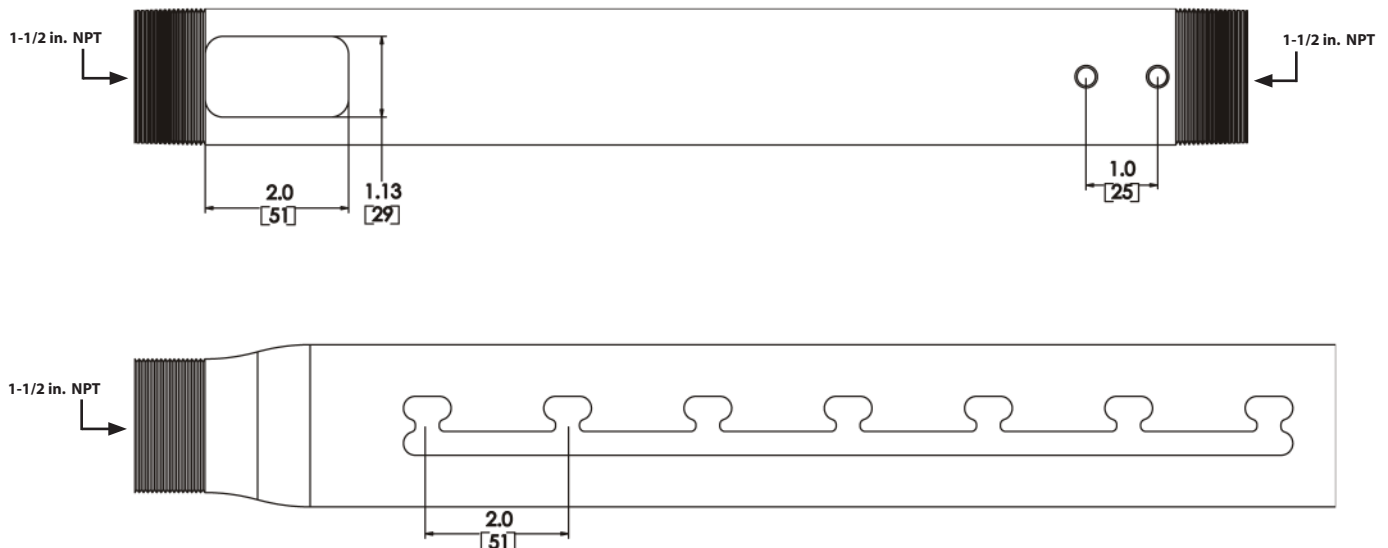


Supplied Parts and Hardware

Before starting assembly, verify all parts are included and undamaged. If any parts are missing or damaged, do not return the item to your dealer; contact Customer Service. Never use damaged parts!



Dimensions

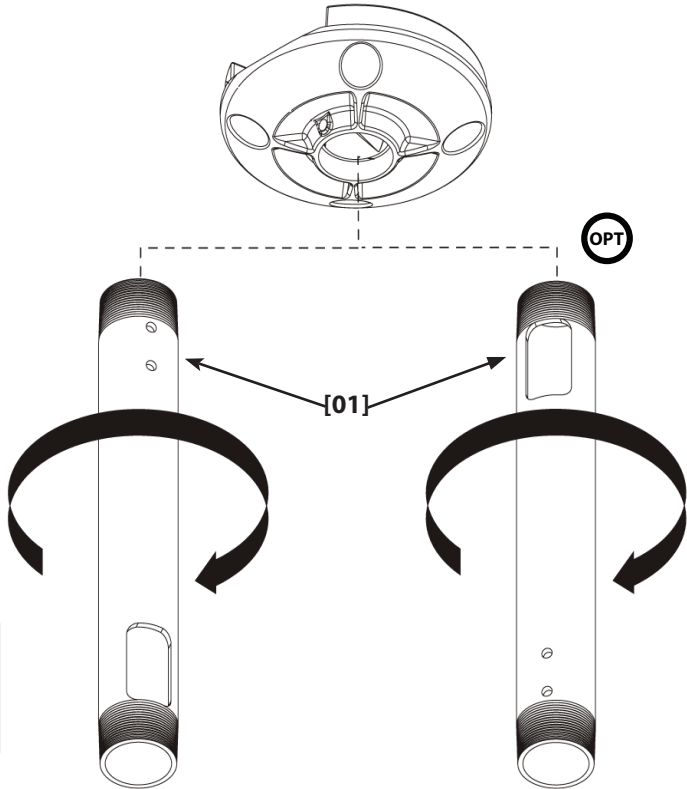


Fixed Length Extension Column

NOTE

The ceiling attachment shown in this manual is generic; it is intended to illustrate a procedure only.

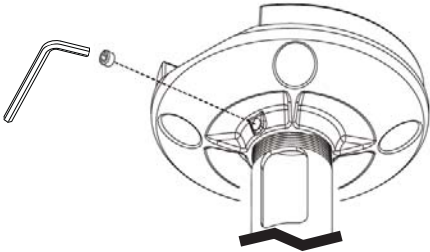
1: Install Extension Column



CAUTION

Avoid potential injuries and / or property damage!
Always use a minimum of seven turns to thread the extension pipe [01] into a mating surface.

2: Tighten Set Screw

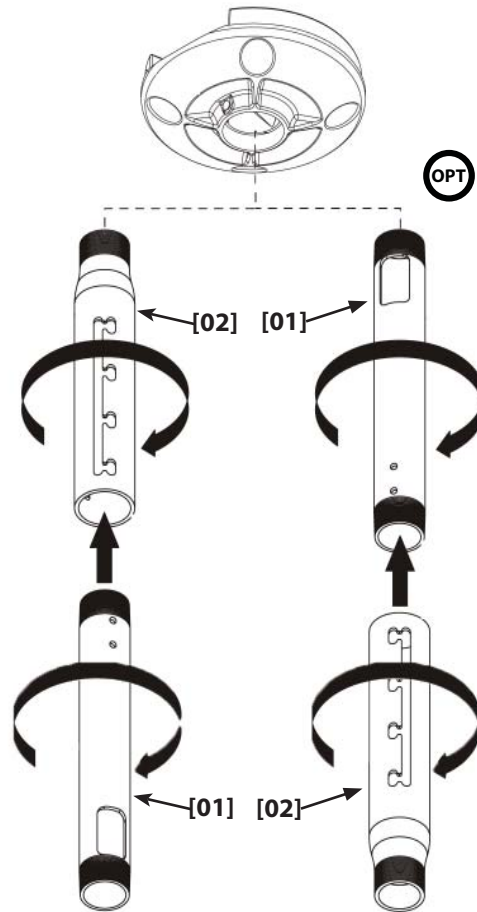


Adjustable Length Extension Column

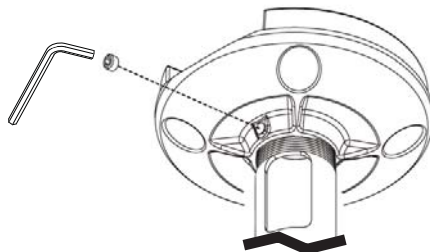
1: Install Extension Columns

⚠ CAUTION

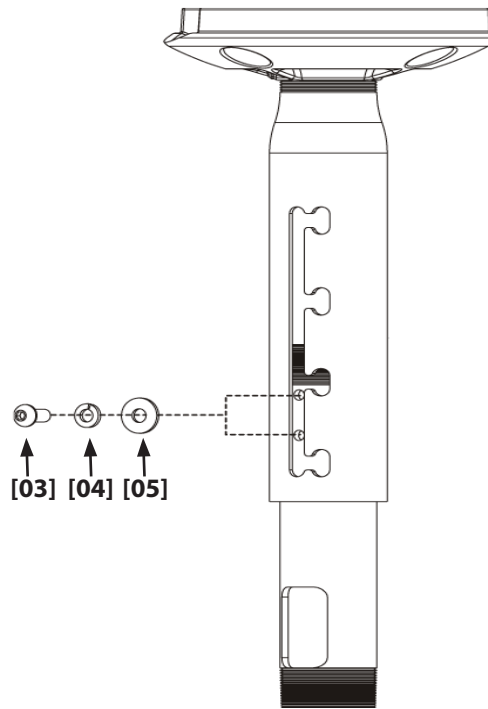
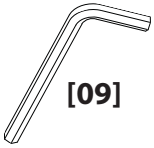
Avoid potential injuries and / or property damage!
Always use a minimum of seven turns to thread the extension pipe [01], [02] into a mating surface.



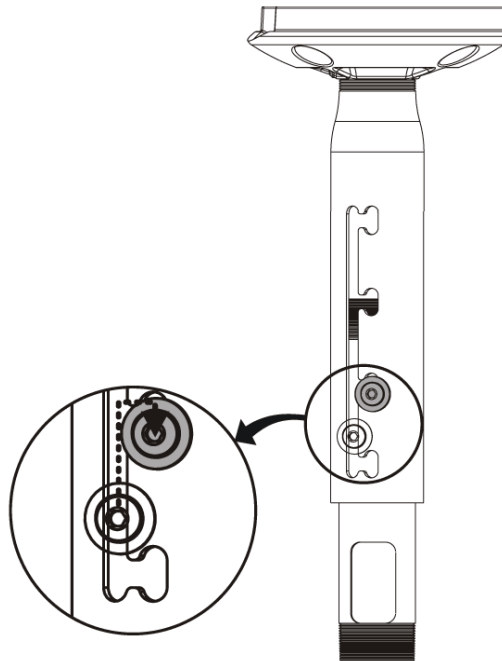
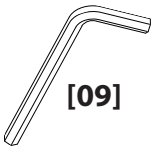
2: Tighten Set Screw



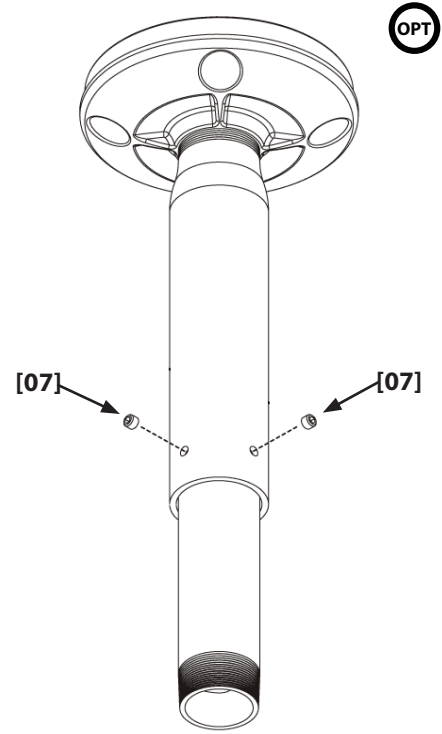
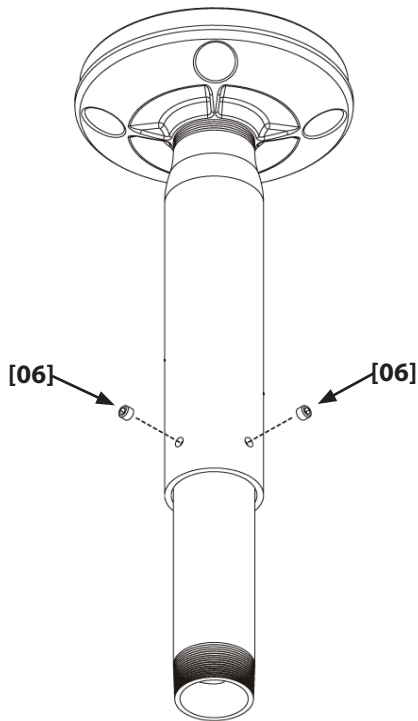
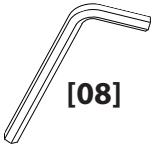
3: Install and Tighten Screw and Washers



4: Adjust Column Length



5: Install and Tighten Set Screws



Milestone AV Technologies and its affiliated corporations and subsidiaries (collectively, "Milestone"), intend to make this manual accurate and complete. However, Milestone makes no claim that the information contained herein covers all details, conditions, or variations. Nor does it provide for every possible contingency in connection with the installation or use of this product. The information contained in this document is subject to change without notice or obligation of any kind. Milestone makes no representation of warranty, expressed or implied, regarding the information contained herein. Milestone assumes no responsibility for accuracy, completeness or sufficiency of the information contained in this document.